

LOOP

LOO_4125S

suspension lamp, surface mounted

Date	Type
Project	
Location	
Model #	Quantity
Specifier	

Description

Suspension lamp with metal body, glass shade and integrated LED. Features adjustable height with an individual canopy, suitable for creating unique compositions.



Pictures above might not show the specified dimensions or material. They are for illustration purposes only.

Ordering information

Product Code	Lamp
LOO_4125S	LED 6W (led included) (2700K / Ang 120° / >90 CRI / 24V 230V / Typ* 1026 lumens Dimmable Triac

Finish	
20 GLD M	Metallic Gold
26 BLK	Black
CUSTOM	

Product includes

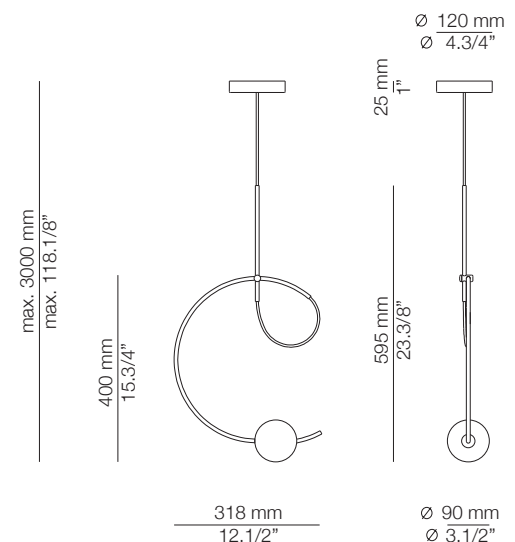
Code	Description
114125XX0	1 surface canopy for 1 single
LOO_4125	1 loop pendant
671000094	1 driver / Dimmable Triac

SPECIAL REQUIREMENTS

Custom finishes and versions

We offer custom plated or RAL finishes and shades.

Alternate lamping and sizes available for projects. Consult our offices.



Special instructions



ESTILUZ, S.A.
Carretera d'Ogassa, s/n
17860 Sant Joan de les Abadesses
T+34 972 720 125
F+34 972 720 796

estiluz@estiluz.com
www.estiluz.com

LOOP

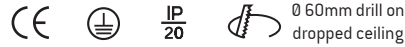
LOO_4125R

suspension lamp, recessed mounted

Date	Type
Project	
Location	
Model #	Quantity
Specifier	


Description

Suspension lamp with metal body, glass shade and integrated LED. Features adjustable height with an individual canopy, suitable for creating unique compositions. Remote driver. False ceiling is required for recessed canopy (Ø 60mm drill).



Pictures above might not show the specified dimensions or material. They are for illustration purposes only.

Ordering information

Product Code	Lamp	Finish
L00_4125R  Ø 60mm drill on dropped ceiling	LED 6W (led included) (2700K / Ang 120° / >90 CRI / 24V 230V / Typ* 1026 lumens Remote driver / Dimmable Triac	20 GLD M Metallic Gold 26 BLK Black CUSTOM

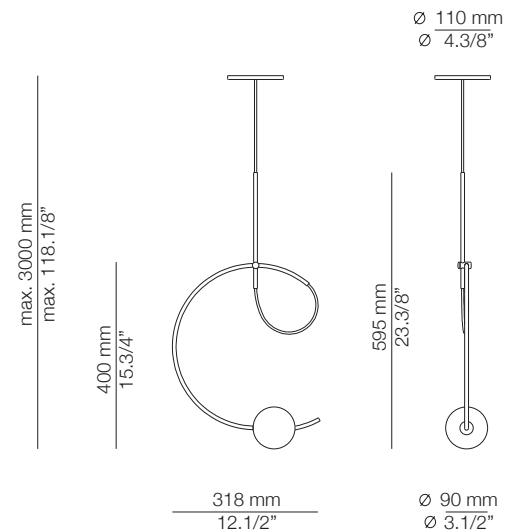
Product includes

Code	Description
113534XX2	1 recessed canopy for 1 single
L00_4125	1 loop pendant
671000094	1 remote driver / Dimmable Triac

SPECIAL REQUIREMENTS

Custom finishes and versions

We offer custom plated or RAL finishes and shades. Alternate lamping and sizes available for projects. Consult our offices.



Special instructions



ESTILUZ, S.A.
 Carretera d'Ogassa, s/n
 17860 Sant Joan de les Abadesses
 T+34 972 720 125
 F+34 972 720 796

estiluz@estiluz.com
 www.estiluz.com