

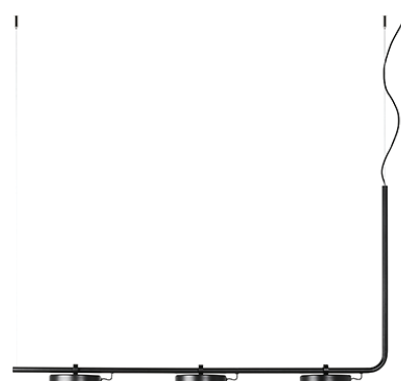
# ARO T-3541S

## surface suspension lamp

Date	Type
Project	
Location	
Model #	Quantity
Specifier	

### Description

Metallic suspension lamp with circular adjustable heads and acrylic diffusers. The heads rotate 106°.



Pictures above might not show the specified dimensions or material. They are for illustration purposes only.

### Ordering information

Product Code	Lamp	Canopy	Finish body
■ T-3541S	LED 3x10W (led included) (2700K / Ang 85° / >90 CRI / 24V) 100V - 277V / Typ* 3x1106 lumens Dimmable 0 - 10V	■ 26 BLK Black ■ 71 WH White	■ 56 BLK Black ■ CUSTOM

### Product includes

Code	Description
113541XX2	1 round surface canopy
T-3541	1 Aro pendant
671000049	1 driver / Dimmable 0 - 10V

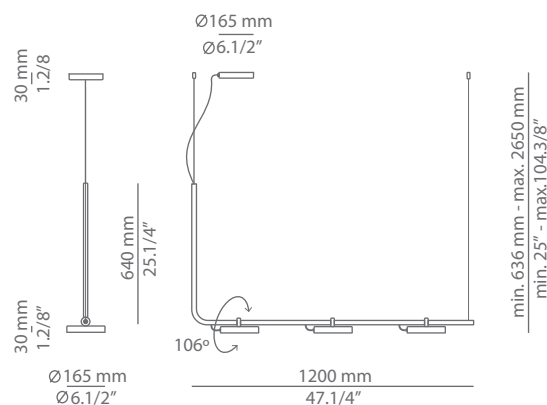
## SPECIAL REQUIREMENTS

### Custom finishes and versions

We offer custom RAL finishes.

Alternate lamping and sizes available for projects. Consult our offices.

### Special instructions



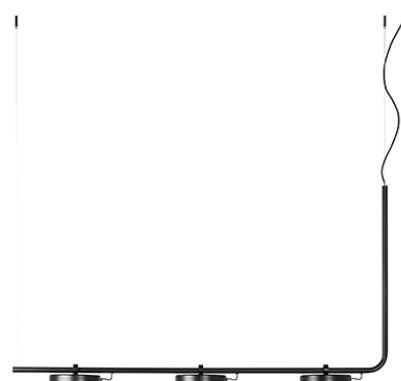
# ARO T-3541R

## recessed suspension lamp

Date	Type
Project	
Location	
Model #	Quantity
Specifier	

### Description

Metallic suspension lamp with circular adjustable heads and acrylic diffusers. The heads rotate 106°. Recessed canopy and remote driver. False ceiling for recessed canopy is required Ø 85mm drill.



Pictures above might not show the specified dimensions or material. They are for illustration purposes only.

### Ordering information

Product Code	Lamp	Canopy	Finish body
T-3541R 	LED 3x10W (led included) <span style="color: orange;">E</span> (2700K / Ang 85° / >90 CRI / 24V) 100V - 277V / Typ* 3x1106 lumens Dimmable 0 - 10V	26 BLK Black 71 WH White	56 BLK Black CUSTOM

### Product includes

Code	Description
113534XX2	1 round recessed canopy
T-3541	1 Aro pendant
671000049	1 remote driver / Dimmable 0 - 10V

## SPECIAL REQUIREMENTS

### Custom finishes and versions

We offer custom RAL finishes.

Alternate lamping and sizes available for projects. Consult our offices.

### Special instructions

---



---



---

