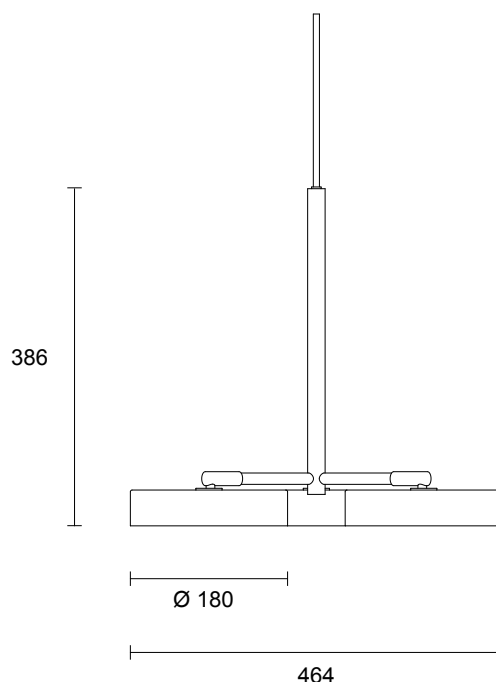


JAMES 3 CHANDELIER

DESIGN SPECIFICATIONS





DIMENSIONS (mm)	H 390mm / W 464mm
WEIGHT (kg)	3 KG
MATERIALS	THE LAMP IS MADE FROM CLEAR LACQUERED BRASS OR POWDER COATED STEEL
CORD (mm)	BLACK TEXTILE - L 3700
ENVIRONMENT	INDOOR
DESIGN BY	NICLAS HOFLIN
DESIGN YEAR	2024



ELECTRICAL SPECIFICATIONS

SWITCH	NO
BULB HOLDER	NO
LIGHT SOURCE	3x10W INTEGRATED DIMMABLE LED - 3000 K
DIMMABLE	YES
MAX (W)	30W LED
VOLTAGE	230 / 240 (LED DRIVER INCL.)
CLASS	2
IP	20

COLORS

	BLACK	ART.NO. 355553005
	PURE WHITE	ART.NO. 355553002
	STEEL	ART.NO. 355553500
	BRASS	ART.NO. 355553001