

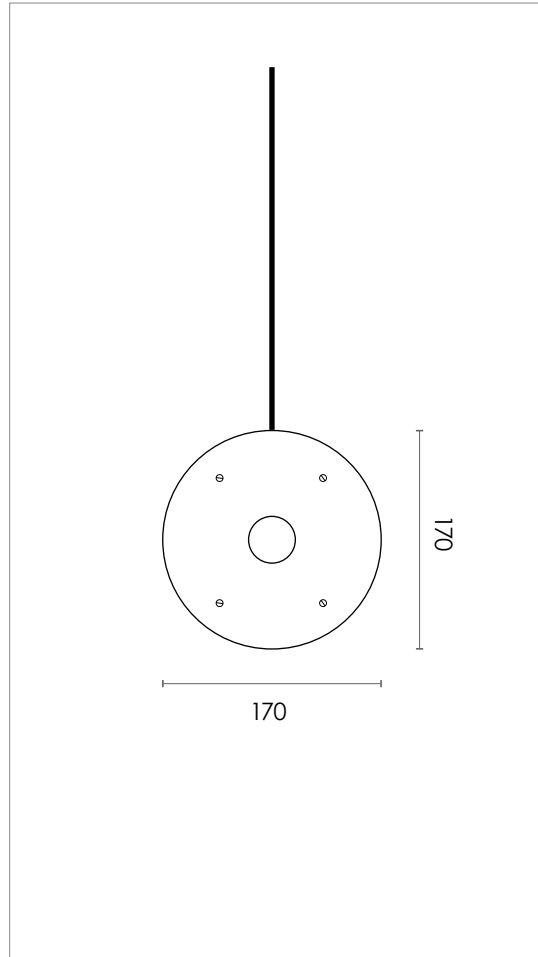
# Sterling PENDANT

## Design Specifications

DIMENSIONS (mm)	H 170 x W 170
WEIGHT (kg)	
MATERIALS	The lamp is made from solid brass and Acrylic shade
CORD (mm)	Black textile - L 3800mm
ENVIRONMENT	Indoor
DESIGN BY	Niclas Hoflin
DESIGN YEAR	2021

## Electrical specifications

SWITCH	No
BULB HOLDER	GX53 bulb holder Dimmable
LIGHT SOURCE	Included light source not integrated.
DIMMABLE	YES
MAX (W)	10W LED Panel
VOLTAGE	230v AC
CLASS	2
IP	20



## COLOURS



**BRASS**

ART.NO. 530510001