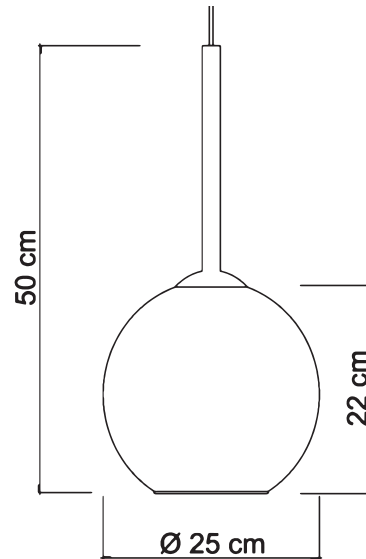


INFINITY/G

Hanging lamp



Infinity, the reinterpretation of a great classic, now gains a new enhancement. By introducing a frosted glass cone inside the sphere, it becomes even more captivating. This cone can be ordered separately and added to existing compositions. It is important to highlight that despite this novelty, the key feature that sets Infinity apart in the market remains unchanged: the glass can still be disassembled for regular maintenance. Introducing the Infinity lamp, available in multiple finishes: crystal, smoke, copper, gold, and amber. The latest addition is the stylish accessory with a satin glass cone. Elevate your space with elegance and modernity, as the Infinity lamp illuminates your home with sophistication and flair.

7814	INFINITY/G A
7807	INFINITY/G C
7821	INFINITY/G F
7845	INFINITY/G O
7838	INFINITY/G R
Power	1 x max 26W
Input	220/240 V - 50/60Hz
Lampholder	E27 - Bulb not included
IP	20
L. Wire	400 cm

Item do not completed of ceiling base, check compatibility at pag. 506 of catalogue



PACKAGING DATA :

Packages	1
Net Weight	0,9kg
Gross Weight	1,1kg
Volume	0,0406 m ³






Any interventions on the light source of this article must be carried out by qualified personnel or by the manufacturer himself.
Any operation carried out without prior consultation with Contemporanea srl will void the guarantee

CE [EAC] RoHS

MATERIAL :

Frame	Metal
Diffuser	Glass
Wire	PVC

FINISHING TABLE :

Frame	↓	Light gold with amber glass
	↓	Chrome with crystal glass
	↓	Dark chrome with smoky glass
	↓	Copper with copper glass
	↓	Gold with gold glass
Diffuser		Amber A
		Crystal C
		Smoky F
		Copper R
		Gold O
Wire		Transparent