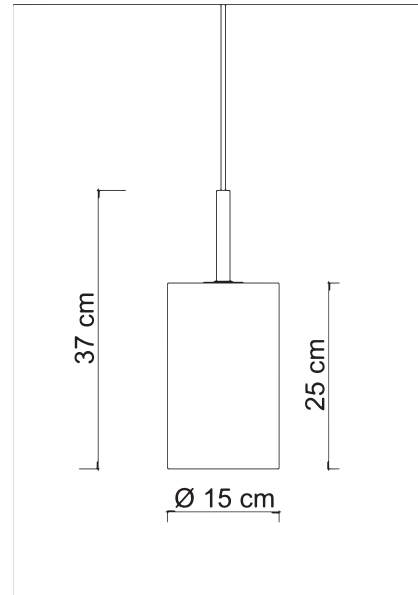


# ICONIC/P

Hanging lamp



The Iconic collection showcases a series of unique glass suspensions, distinguished by a captivating inner metal cone. This reflective cone, coated in a glossy galvanic finish matching the outer glass, creates a mesmerizing interplay of light and shadow. The resulting luminous effect is exhilarating, offering a perfect blend of elegance and originality. Iconic suspensions serve as a distinctive option to enhance any space with a touch of style and a magical atmosphere. Iconic is available in bronze, copper, smoke, and transparent finishes.

It is electrified with an E27 bulb and offers modular installation options on our bases, allowing for flexible customization and versatility in design.

9009	ICONIC/P BR
8989	ICONIC/P C
8996	ICONIC/P F
9139	ICONIC/P R
Power	1 x max 26W
Input	220/240 V - 50/60Hz
Lampholder	E27 - Bulb not included
IP	20
L. Wire	500 cm

Item do not completed of ceiling base, check compatibility at pag. 506 of catalogue



## PACKAGING DATA :

Packages	1
Net Weight	1,6kg
Gross Weight	2,4kg
Volume	0,0180 m <sup>3</sup>



Any interventions on the light source of this article must be carried out by qualified personnel or by the manufacturer himself.  
Any operation carried out without prior consultation with Contemporanea srl will void the guarantee

CE [E] RoHS

## MATERIAL :

Frame	Metal
Diffuser	Glass
Wire	Fabric

## FINISHING TABLE :

Frame	↓	Copper with copper glass
	↓	Chrome with crystal glass
	↓	Dark chrome with smoky glass
	↓	Bronze with bronze glass
Diffuser		Copper R
		Crystal C
		Smoky F
		Bronze BR
Wire		Black