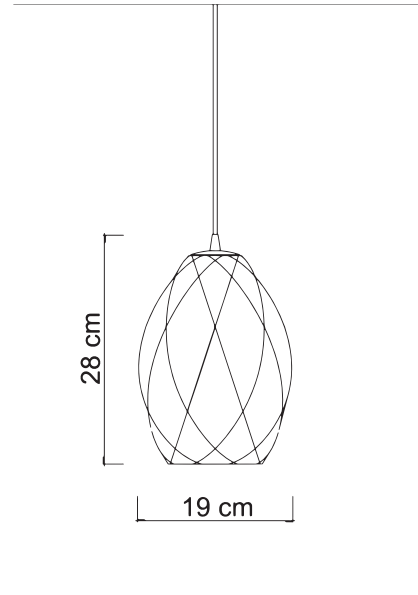


MORIS

Hanging lamp



Moris is a suspension lamp that enchants with its beauty and craftsmanship. Made with handcrafted glass, its elegant shape and finely carved details capture attention and emit a warm and enveloping light. Moris adds a touch of sophistication and style to any space, creating a unique and fascinating atmosphere.

5001	MORIS/A
4981	MORIS/C
4998	MORIS/F
Power	1 x max 26W
Input	220/240 V - 50/60Hz
Lampholder	E27 - Bulb not included
IP	20
L. Wire	400 cm

Item do not completed of ceiling base, check compatibility at pag. 506 of catalogue



PACKAGING DATA :

Packages	1
Net Weight	1,0kg
Gross Weight	1,9kg
Volume	0,0270 m ³

Any interventions on the light source of this article must be carried out by qualified personnel or by the manufacturer himself.
Any operation carried out without prior consultation with Contemporanea srl will void the guarantee


CE [EAC] RoHS

MATERIAL :

Frame	Metal
Diffuser	Glass
Wire	PVC

FINISHING TABLE :

Frame	↓	Light gold with amber glass
	↓	Chrome with crystal glass
	↓	Dark chrome with smoky glass

Diffuser		Amber	A
		Crystal	C
		Smoky	F

Wire		Transparent
------	---------------------------------------------------------------------------------------	-------------