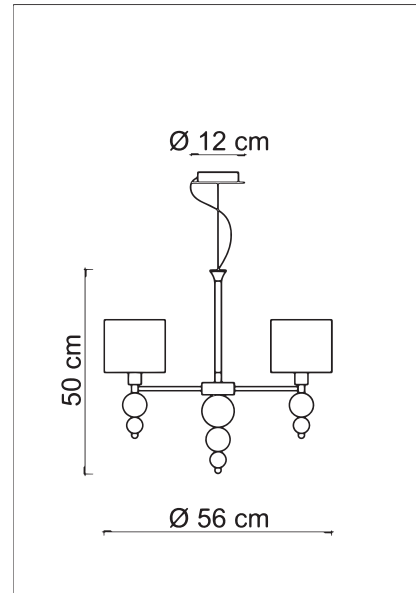


# GIOCONDA/S

Hanging lamp



Refined presence and delicate diffused light characterize the Gioconda collection, traced by a linear structure decorated with glass spheres and finished by a fine fabric diffuser. A sophisticated frame that goes well with classic and contemporary settings.

33106	GIOCONDA/S
Power	1 x max 12W
Input	220/240 V - 50/60Hz
Lampholder	E14 - Bulb not included
IP	20
L. Wire	120 cm

#### PACKAGING DATA :

Packages	1
Net Weight	4,2kg
Gross Weight	5,5kg
Volume	0,0960 m <sup>3</sup>



Any interventions on the light source of this article must be carried out by qualified personnel or by the manufacturer himself.  
Any operation carried out without prior consultation with Contemporanea srl will void the guarantee

**CE [EAC] RoHS**

#### MATERIAL :

Frame	Metal
Diffuser	Fabric
Wire	PVC + Steel

#### FINISHING TABLE :

Frame	 Brushed Burnished Brass
Diffuser	 Beige

Wire	 Transparent
------	---