

## ROMA PENDANT

### FINISH

bronze with honed alabaster stone  
satin brass with honed alabaster stone

### DIMENSIONS (body of fixture)

ø 1010 x 190 mm (dia x h)

### WEIGHT

7.5kg (16.5lbs)  
please ensure ceiling structure is strong enough to support the weight of the light

### OVERALL DROP

minimum 345 mm  
maximum on request 6215 mm  
supplied with 1000 mm drop rod

### ILLUMINATION

220-240v - integrated mains LED - 45w - 2700K  
110-130v - integrated mains LED - 45w - 2700K

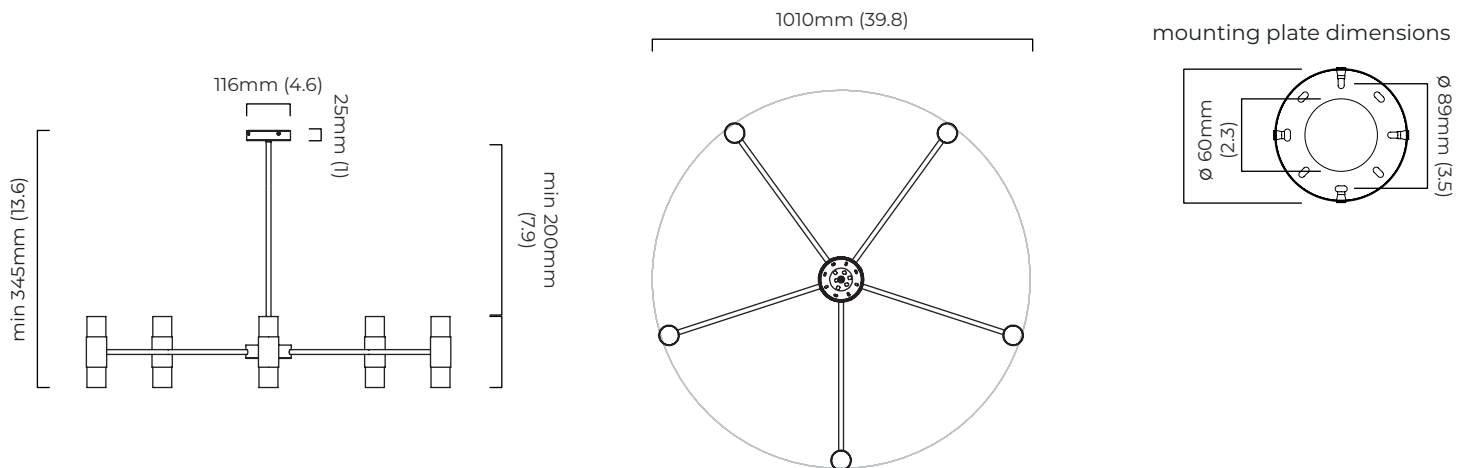
### DIMMING

trailing edge dimmable / phase cut (rotary dimmer) - standard  
DALI option available (220-240v only)

### CEILING ROSE / PLATE

round ceiling rose - ø 116 x 25 mm (dia x h)

### CERTIFICATION



\*Diagrams are not to scale.

SKU NUMBER	FINISH DESCRIPTION	VOLTAGE
ROMPEOBZHA-240	bronze with honed alabaster stone	220 - 240V
ROMPEOSBHA-240	satin brass with honed alabaster stone	220 - 240V
ROMPEOBZHA-110	bronze with honed alabaster stone	110 - 130V
ROMPEOSBHA-110	satin brass with honed alabaster stone	110 - 130V

## ROMA PENDANT - DALI-A

### FINISH

bronze with honed alabaster stone  
satin brass with honed alabaster stone

### DIMENSIONS (body of fixture)

ø 1010 x 190 mm (dia x h)

### WEIGHT

7.5kg (16.5lbs)

please ensure ceiling structure is strong enough to support the weight of the light

### OVERALL DROP

minimum 345 mm

maximum on request 6215 mm

supplied with 1000 mm drop rod

### ILLUMINATION

220-240v - integrated mains LED - 45w - 2700K

DALI converter to be installed in the ceiling cavity

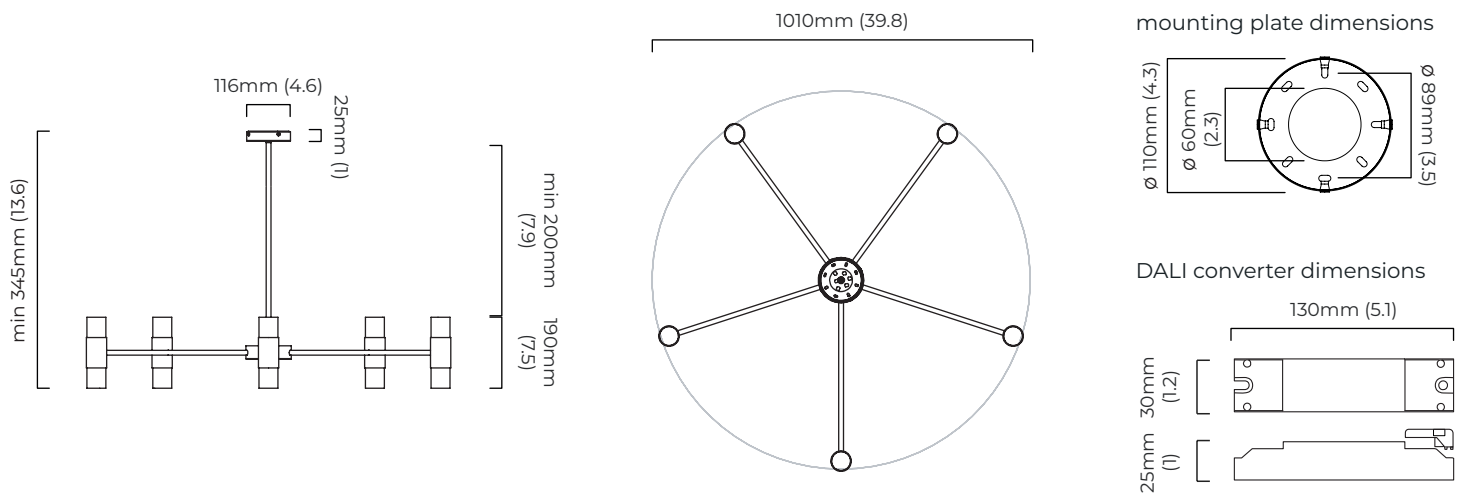
### DIMMING

DALI compatible

### CEILING ROSE / PLATE

round ceiling rose - ø 116 x 25 mm (dia x h)

### CERTIFICATION



\*Diagrams are not to scale.

SKU NUMBER	FINISH DESCRIPTION	TYPE OF DALI	VOLTAGE
ROMPEOBZHA-DALIA-240	bronze with honed alabaster stone	DALI A included - For lights that do not require aesthetic alterations. Dali can be fitted inside the ceiling/wall cavity	220 - 240V
ROMPEOSBHA-DALIA-240	satin brass with honed alabaster stone	DALI A included - For lights that do not require aesthetic alterations. Dali can be fitted inside the ceiling/wall cavity	220 - 240V

## ROMA PENDANT - DALI-B

### FINISH

bronze with honed alabaster stone  
satin brass with honed alabaster stone

### DIMENSIONS (body of fixture)

ø 1010 x 190 mm (dia x h)

### WEIGHT

7.5kg (16.5lbs)

please ensure ceiling structure is strong enough to support the weight of the light

### OVERALL DROP

minimum 355 mm

maximum on request 6225 mm

supplied with 1000 mm drop rod

### ILLUMINATION

220-240v - integrated mains LED - 45w - 2700K

DALI converter to be installed in the ceiling rose

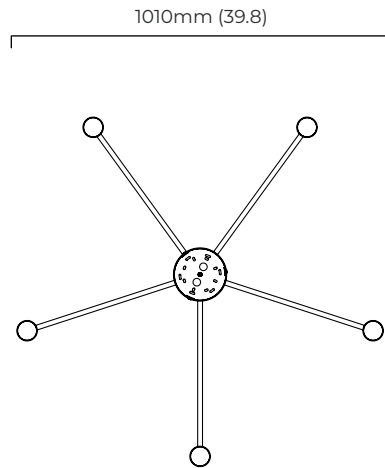
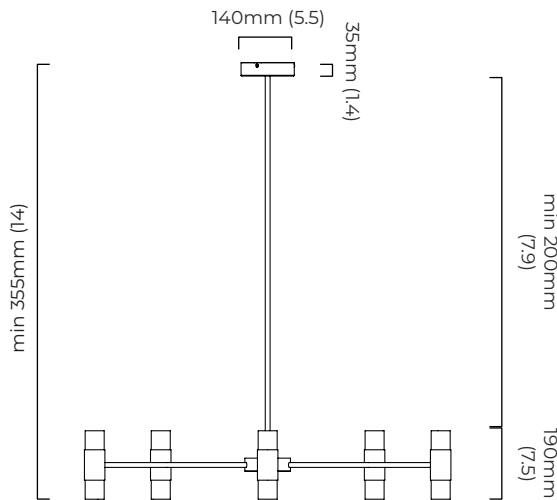
### DIMMING

DALI compatible

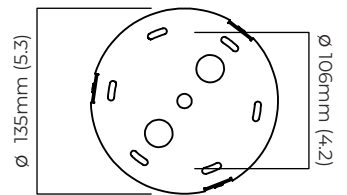
### CEILING ROSE / PLATE

round ceiling rose - ø 140 x 35 mm (dia x h)

### CERTIFICATION



mounting plate dimensions



\*Diagrams are not to scale.

SKU NUMBER	FINISH DESCRIPTION	TYPE OF DALI	VOLTAGE
ROMPEOBZHA-DALIB-240	bronze with honed alabaster stone	DALI B included - The light will feature a deeper ceiling/wall rose. For use when there is no space in the existing ceiling/wall cavity	220 - 240V
ROMPEOSBHA-DALIB-240	satin brass with honed alabaster stone	DALI B included - The light will feature a deeper ceiling/wall rose. For use when there is no space in the existing ceiling/wall cavity	220 - 240V