

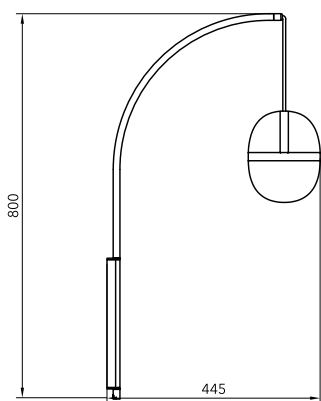
HIND RABII

LIGHTING STUDIO

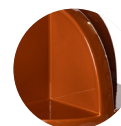
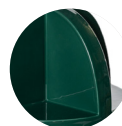
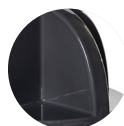


HALF & HALF WALL

Design by Alain Gilles, 2022



Céramic



Caviar

Green

Smooth

Toscan

GLASS



Opal white

Mounting	Pendant	Dimmable	Yes (TRIAC, trailing edge)	Marking	CE IP20 F □
Environment	indoor	Source	Included	Weight	1,4kg
Lampshade	Ceramic & Glass		2*G9 Led 2*5w 2700k 700lm	Cord lenght	2000mm other length on request.
Frame	Cord & Metal	Voltage	220-250V		