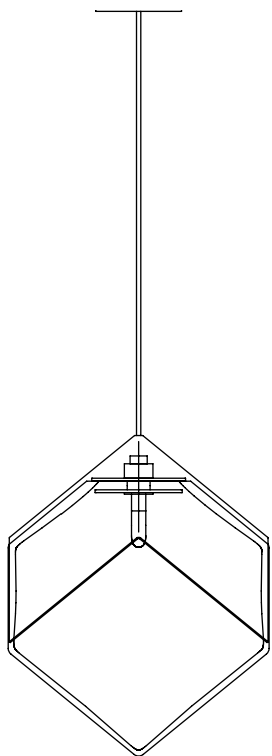


# pyrite

Design by  
Studio Dechem



# bomma

bomma.cz

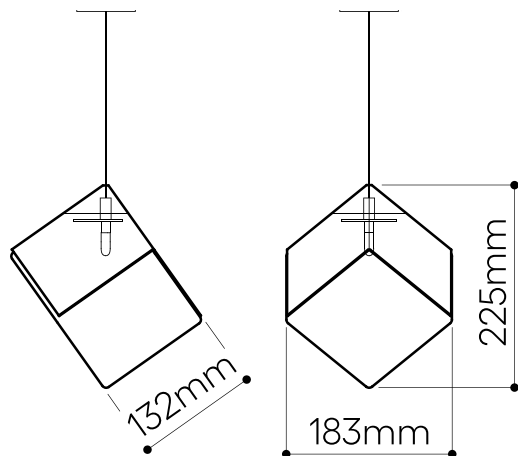
TECHNICAL SHEET  
FOR PENDANT LIGHT FIXTURES

# PYRITE large pendant without canopy

Design by  
Studio Dechem

## Handmade glass attributes

All Bomma products are hand-made from mouth-blown lead-free crystal. Therefore any small bubbles, non-melts and irregularities in the glass are both proof and a characteristic feature of this traditional craft.



## LIGHTING DESCRIPTION

Size	183 × 209 × 225 mm 7,2 × 8,2 × 8,9 inch
Cable	transparent 2,5–15 m (max) / 98,4–590,5 inch (max) per specific project
Weight	+ - 1,9 kg / 4,2 lbs
Glass	mouth-blown lead-free crystal in clear
Mounting + Metal sheet top	silver (polished stainless steel) gold (polished stainless steel with nitride tittan coating)
Protection	IP 20
Nominal voltage	220-240V / A.C. 50 hz (EU) 110-120 V / A.C. 60 Hz (USA)
Class	III. EU / II. USA

## LIGHT SOURCE

Type	G4, 1,2W LED, 100 lm
Base	G4 (EU) / G4 (USA)
Voltage	12V, AC
Temperature	2700 K
Color index	RA 90+
Dimming	dimnable in constellations

## TRANSFORMER

Primary	to be purchased separately for specific project
---------	---

## PACKAGING

Material	cardboard
Size	230 × 220 × 220 mm 9 × 8,6 × 8,6 inch

Origin: traditionally produced in the Czech Republic  
Intellectual property license holder: Bomma Czech Republic (EU)  
Represented by BMRC group s.r.o.

CERTIFICATES

