

Manta, shimmering waves.

design Dodo Arslan & Nicolas Terzani
terzani.com




Name
Manta
pendant light

Materials
clear crystal

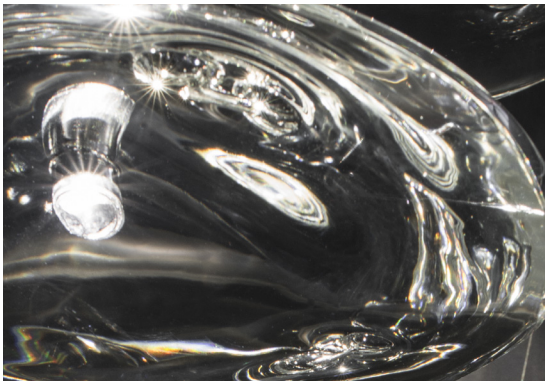
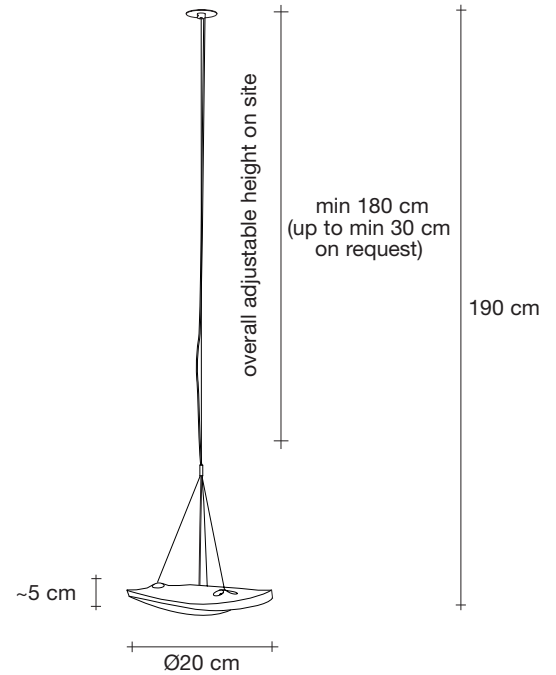


Finishes | Code

 white disc | clear
OK011 E8 A9 KK

Body


NO DRIVER INCLUDED



Light source
500mA ~ 50/60Hz

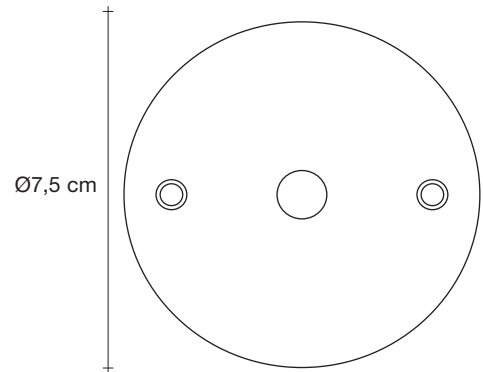
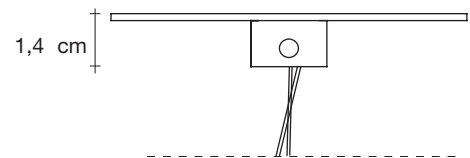
 Built in Replaceable LED Module
1,5W 135 lm 3000K
or optional 115 lm 2700K

dimnable drivers available

 not dimmable

 0/1-10V
PUSH
DALI

Disc | white



Manta was created featuring sinuous, undulating lines. The results are soft waves of crystal light reminiscent of being underwater. The innovative Manta is made of crystal, with a dimmable integrated led lamp focused on maximizing the crystal's reflection. Manta's organic form is available in two sizes and can be installed in numerous, customizable arrangements. Design Dodo Arslan & Nicolas Terzani. Made in Italy.

Manta, shimmering waves.

design Dodo Arslan & Nicolas Terzani
terzani.com



Name
Manta
pendant light

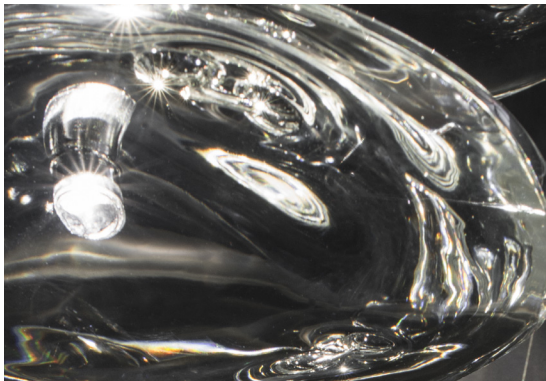
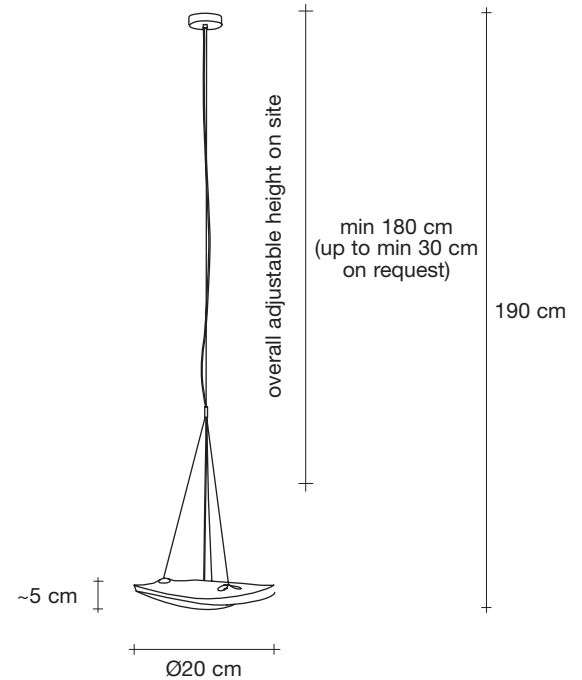
Materials
clear crystal



Finishes | Code

 clear
OK011 E8 A9



Body



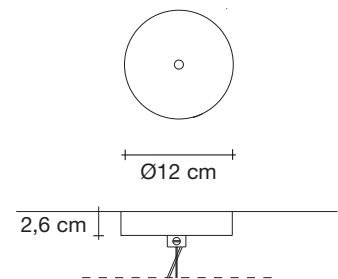
Light source
230-240V ~ 50/60Hz

 Built in Replaceable LED Module
1,5W 135 lm 3000K
or optional 115 lm 2700K

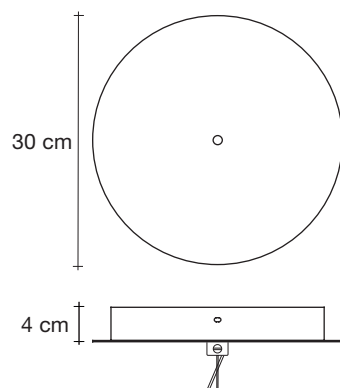
dimnable options

-  not dimmable
-  PUSH DALI

Canopy | white



Canopy for DALI | white



Manta was created featuring sinuous, undulating lines. The results are soft waves of crystal light reminiscent of being underwater. The innovative Manta is made of crystal, with a dimmable integrated led lamp focused on maximizing the crystal's reflection. Manta's organic form is available in two sizes and can be installed in numerous, customizable arrangements. Design Dodo Arslan & Nicolas Terzani. Made in Italy.

Manta, shimmering waves.

design Dodo Arslan & Nicolas Terzani
terzani.com



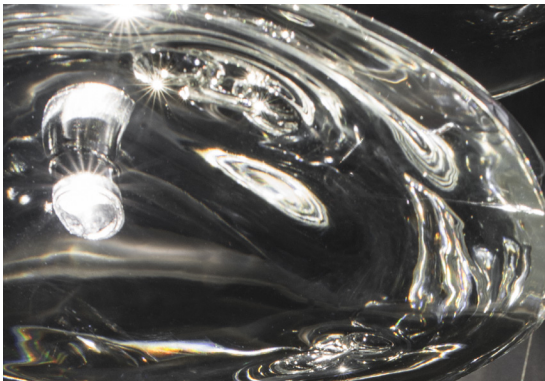
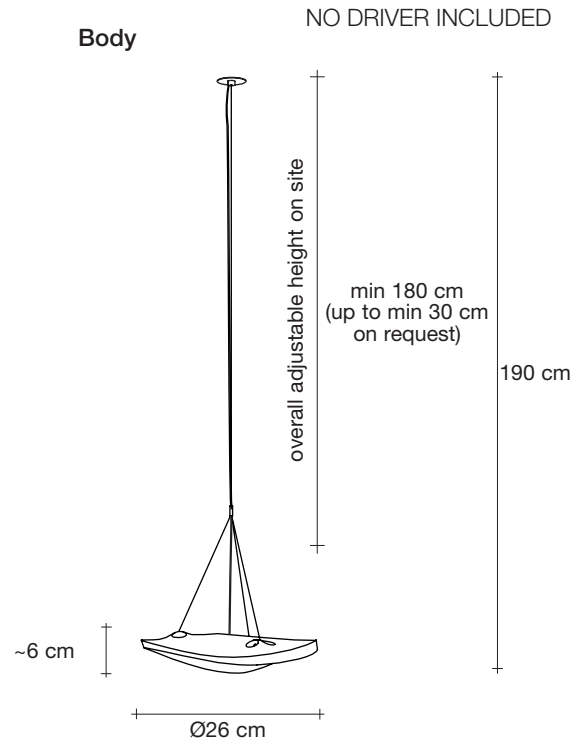
Name
Manta
pendant light

Materials
clear crystal



Finishes | Code


 white disc | clear
OK012 E8 A9 KK



Light source
500mA ~ 50/60Hz

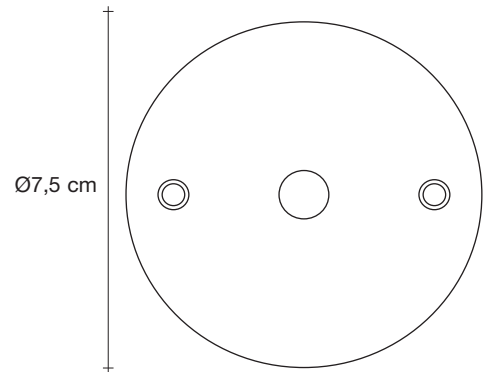
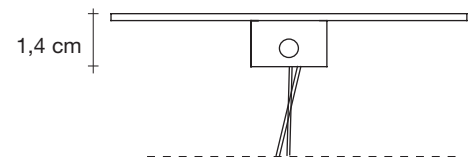
 Built in Replaceable LED Module
1,5W 135 lm 3000K
or optional 115 lm 2700K

dimnable drivers available

 not dimmable

 1-10V
PUSH
DALI

Disc | white



Manta was created featuring sinuous, undulating lines. The results are soft waves of crystal light reminiscent of being underwater. The innovative Manta is made of crystal, with a dimmable integrated led lamp focused on maximizing the crystal's reflection. Manta's organic form is available in two sizes and can be installed in numerous, customizable arrangements. Design Dodo Arslan & Nicolas Terzani. Made in Italy.

Manta, shimmering waves.

design Dodo Arslan & Nicolas Terzani
terzani.com



Name
Manta
pendant light

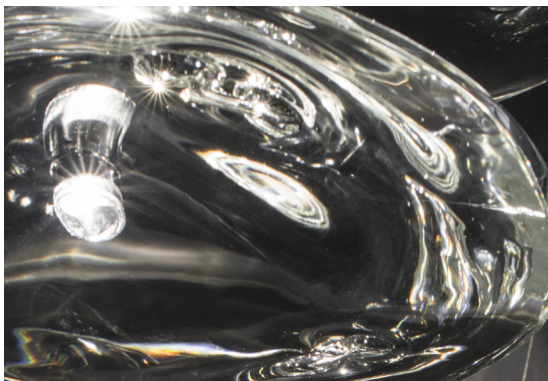
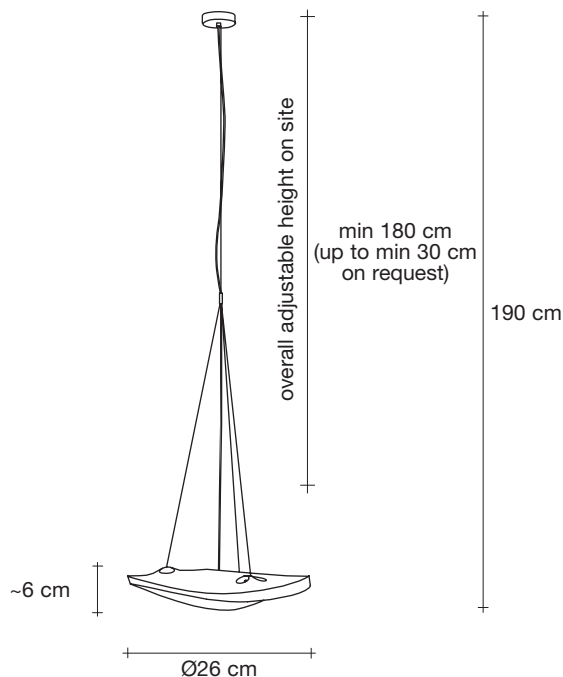
Materials
clear crystal



Finishes | Code

 clear
OK012 E8 A9

Body



Light source
230-240V ~ 50/60Hz

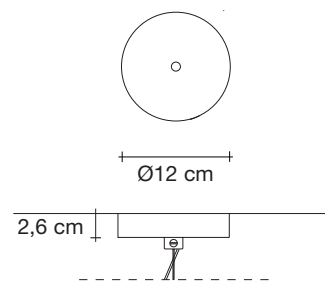
 Built in Replaceable LED Module
1,5W 135 lm 3000K
or optional 115 lm 2700K

dimnable options

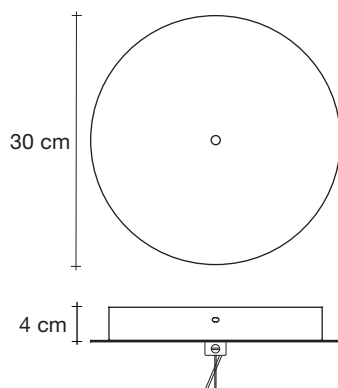
 not dimmable

 PUSH
DALI

Canopy | white



Canopy for DALI | white *



Manta was created featuring sinuous, undulating lines. The results are soft waves of crystal light reminiscent of being underwater. The innovative Manta is made of crystal, with a dimmable integrated led lamp focused on maximizing the crystal's reflection. Manta's organic form is available in two sizes and can be installed in numerous, customizable arrangements. Design Dodo Arslan & Nicolas Terzani. Made in Italy.

Manta, shimmering waves.

design Dodo Arslan & Nicolas Terzani
terzani.com

TERZANI
LA LUCE PENSATA

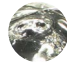


Name
Manta
3 light pendant

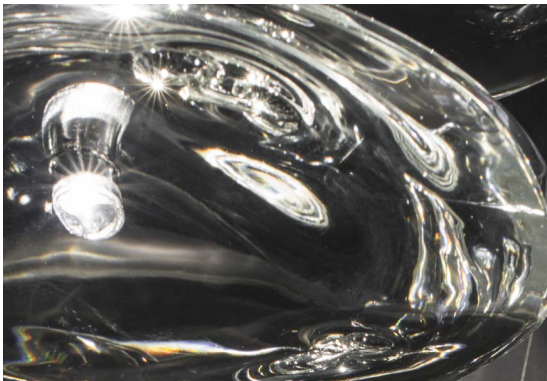
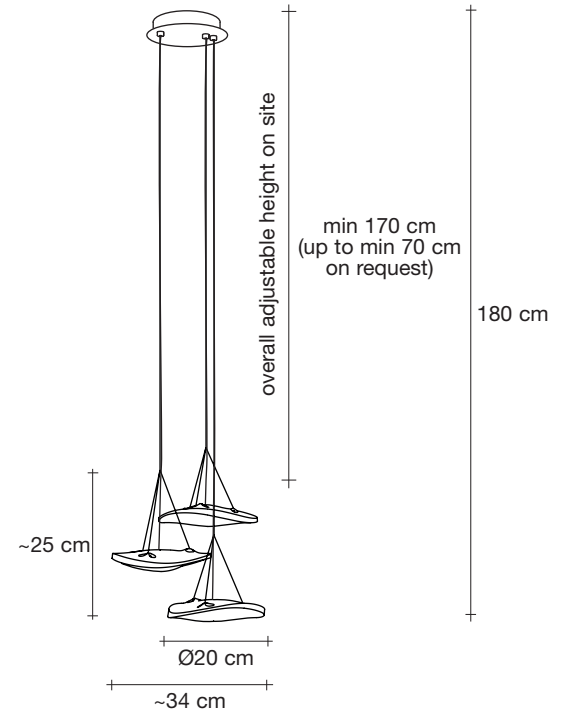
Materials
clear crystal

CE ENEC CB


Finishes | Code

 clear
OK031 E8 A9

Body



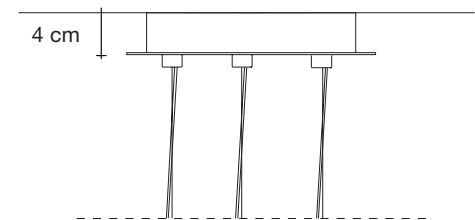
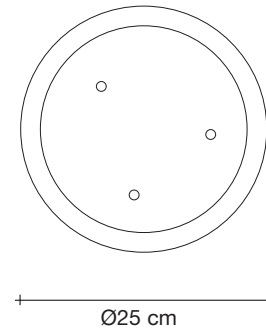
Light source
230-240V ~ 50/60Hz

 Built in Replaceable LED Module
3 x 1,5W 405 lm 3000K
or optional 345 lm 2700K

dimnable options

 1-10V
PUSH
DALI

Canopy | white



Manta was created featuring sinuous, undulating lines. The results are soft waves of crystal light reminiscent of being underwater. The innovative Manta is made of crystal, with a dimmable integrated led lamp focused on maximizing the crystal's reflection. Manta's organic form is available in two sizes and can be installed in numerous, customizable arrangements. Design Dodo Arslan & Nicolas Terzani. Made in Italy.