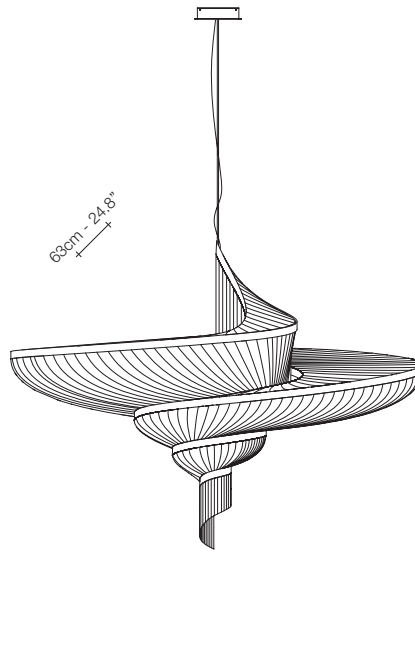


Ø35cm - 13.8"

G91S



136cm - 53.5"

G90S



NICKEL



BLACK NICKEL



BRONZE



GOLD  
PLATED

	LIGHT SOURCE	G91S	G90S
230V	Replaceable LED module	12x2,1W	20x2,1W
	3000K 2700K	2328lm 2064lm	3880lm 3440lm
	Dimmable	0/1-10V PUSH/DALI	PUSH DALI
120V	Replaceable LED module	12x2,1W	20x2,1W
	3000K 2700K	2328lm 2064lm	3880lm 3440lm
	Dimmable	0/1-10V PUSH/DALI	1-10V PWM 10-100kΩ

Epoque can be manufactured to work with 3000K or 2700K LED. Different dimming options on request