

Core, eruption of light.

design Christian Lava
terzani.com

TERZANI
LA LUCE PENSATA



Name

Core
pendant light

Materials

brass | clear glass



Finishes | Code



nickel plated | clear glass
0P22S E7 A9

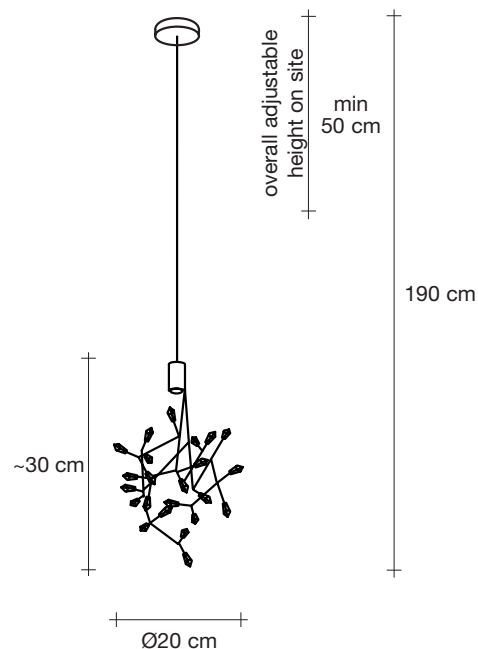


black nickel plated | clear glass
0P22S E9 A9



gold plated | clear glass
0P22S L6 A9

Body



Light source

220-240V ~ 50/60Hz

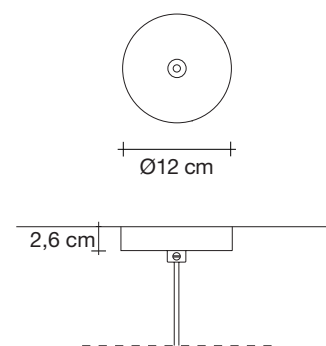


Built in Replaceable LED Module
2,1W 194 lm 3000K
or optional 172 lm 2700K



not dimmable

Canopy



Core, designed by Christian Lava, is reminiscent of the natural energy at the heart of our world. Like bright lava seeping through the earth's crust, vibrant spheres of faceted glass break through the iron surface of this pendant. Forcing light to pass through this metal structure results in a powerful, vibrant exchange of forces light and shadow erupt across the room, as the led light pours through, as the light itself emits an organic radiance. Available in nickel, black nickel and gold plated finishes. Design Christian Lava. Made in Italy.

Core, eruption of light.

design Christian Lava
terzani.com

TERZANI
LA LUCE PENSATA



Name
Core
dome pendant light

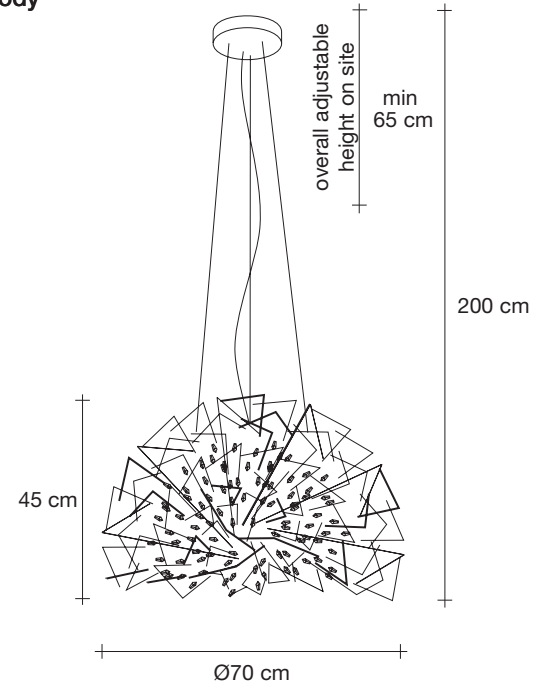
Materials
brass | clear glass



Finishes | Code

-  nickel plated | clear glass
OP21S E7 A9
-  black nickel plated | clear glass
OP21S E9 A9
-  gold plated | clear glass
OP21S L6 A9

Body



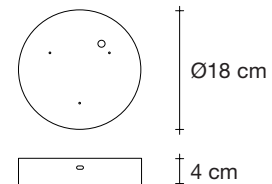
Light source
220-240V ~ 50/60Hz

-  Built in Replaceable LED Module
18W 1640 lm CRI 90 3000K
or optional 1570 lm 2700K

dimming options

-  1-10V
PUSH
DALI

Canopy



Core, designed by Christian Lava, is reminiscent of the natural energy at the heart of our world. Like bright lava seeping through the earth's crust, vibrant spheres of faceted glass break through the iron surface of this pendant. Forcing light to pass through this metal structure results in a powerful, vibrant exchange of forces light and shadow erupt across the room, as the led light pours through, as the light itself emits an organic radiance. Available in nickel, black nickel and gold plated finishes. Design Christian Lava. Made in Italy.

Core, eruption of light.

design Christian Lava
terzani.com

TERZANI
LA LUCE PENSATA



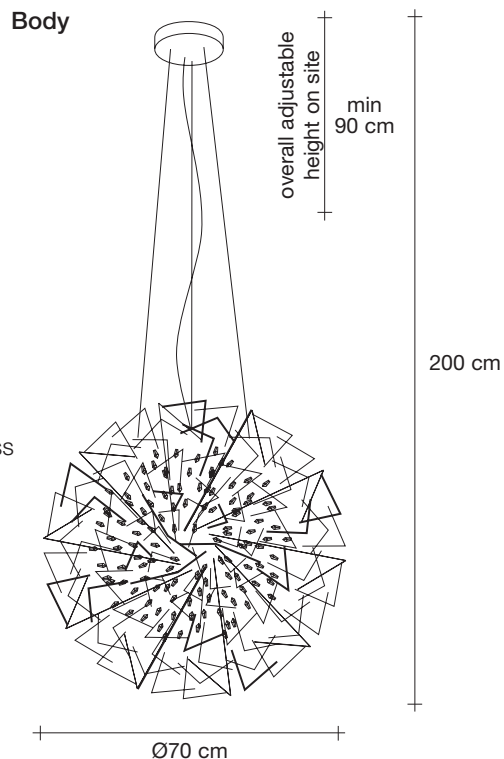
Name
Core
sphere pendant light

Materials
brass | clear glass



Finishes | Code

-  nickel plated | clear glass
OP20S E7 A9
-  black nickel plated | clear glass
OP20S E9 A9
-  gold plated | clear glass
OP20S L6 A9



Light source

220-240V ~ 50/60Hz

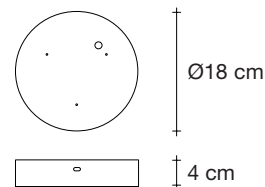


Built in Replaceable LED Module
18W 1640 lm CRI 90 3000K
or optional 1570 lm 2700K

dimming options

-  1-10V
PUSH
DALI

Canopy



Core, designed by Christian Lava, is reminiscent of the natural energy at the heart of our world. Like bright lava seeping through the earth's crust, vibrant spheres of faceted glass break through the iron surface of this pendant. Forcing light to pass through this metal structure results in a powerful, vibrant exchange of forces light and shadow erupt across the room, as the led light pours through, as the light itself emits an organic radiance. Available in nickel, black nickel and gold plated finishes. Design Christian Lava. Made in Italy.