

Calle, perennial *elegance.*

design Draw
terzani.com

TERZANI
LA LUCE PENSATA



Name

Calle
pendant light

Materials

clear crystal (24% lead)

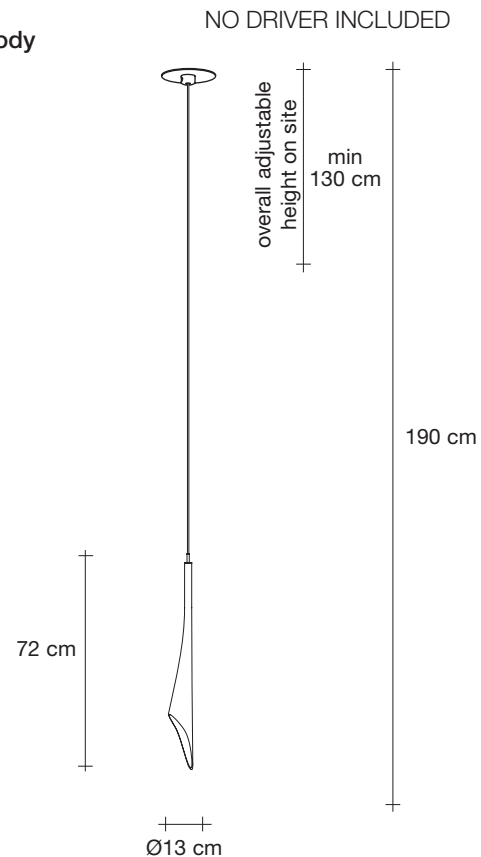


Finishes | Code



white disc | clear
OT01S E8 A9 KK

Body



Light source options

230-240V ~ 50/60Hz



HALOGEN
20W G4 12V
or



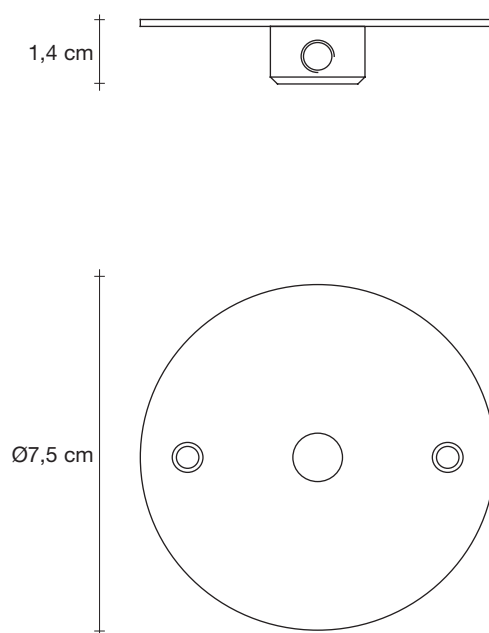
LED
2W G4 12V

dimnable drivers available



IGBT
10-100kΩ
0/1-10V
PUSH
DALI

Disc | white



At Terzani, we spend countless days searching the globe for talented new designers, but sometimes they find us. Such is the case with the young designers Luca Martorano and Mattia Albicini (Draw studio) who approached us with the design for Calle, a fantastic new light we instantly fell in love with. It showcases our skill at crafting crystal to take the material to an exciting, modern place. Luca and Mattia worked with our raftsmen to create a slender inverted flute of crystal that, like the calla lily it mimics, can be grouped into stunning bouquets of light. Design Draw. Made in Italy.



1,5 kg



3 kg



83 x 25 x 26 cm

Calle, perennial *elegance.*

design Draw
terzani.com

TERZANI
LA LUCE PENSATA




Name
Calle
pendant light

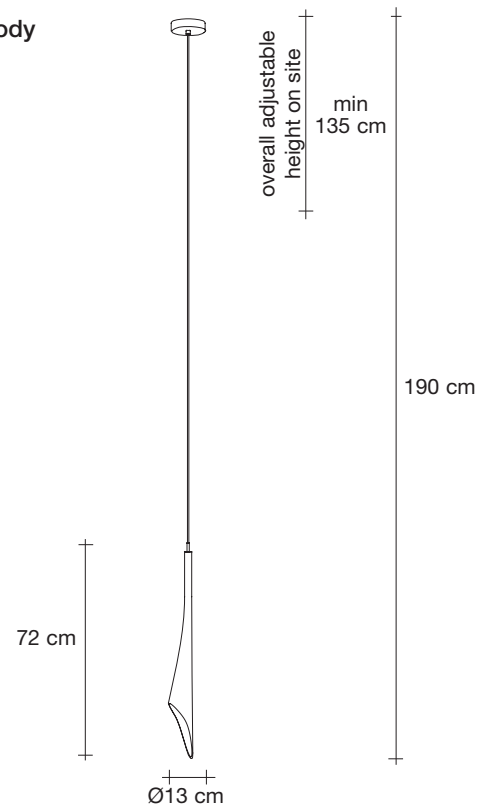
Materials
clear crystal (24% lead)

CE ENEC CB

Finishes | Code

 clear
OT01S E8 A9

Body



Light source options


12V ~ 50/60Hz

 HALOGEN
20W G4 12V

or

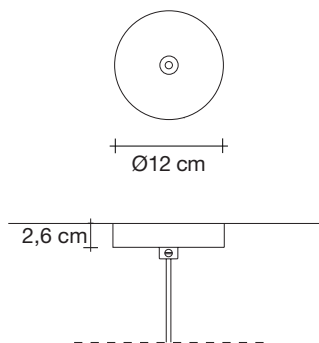
 LED
2W G4 12V

dimnable options

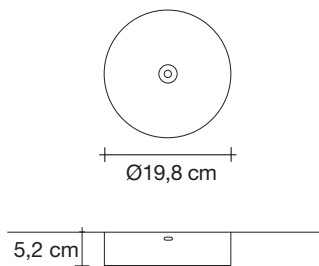
 not dimmable

 IGBT
TRIAC
DALI

Canopy | white



Canopy for DALI



At Terzani, we spend countless days searching the globe for talented new designers, but sometimes they find us. Such is the case with the young designers Luca Martorano and Mattia Albicini (Draw studio) who approached us with the design for Calle, a fantastic new light we instantly fell in love with. It showcases our skill at crafting crystal to take the material to an exciting, modern place. Luca and Mattia worked with our craftsmen to create a slender inverted flute of crystal that, like the calla lily it mimics, can be grouped into stunning bouquets of light. Design Draw. Made in Italy.

Calle, perennial *elegance.*

design Draw
terzani.com

TERZANI
LA LUCE PENSATA




Name
Calle
3 round multi light pendant

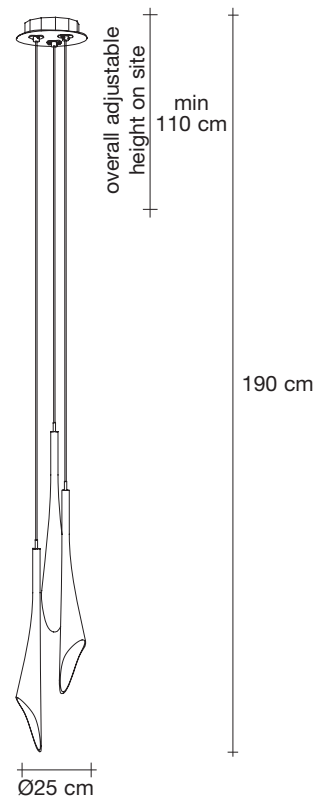
Materials
clear crystal (24% lead)

CE ENEC CB

Finishes | Code

 clear
OT03S E8 A9

Body



Light source options


230-240V ~ 50/60Hz

 HALOGEN
3 x 20W G4 12V

or

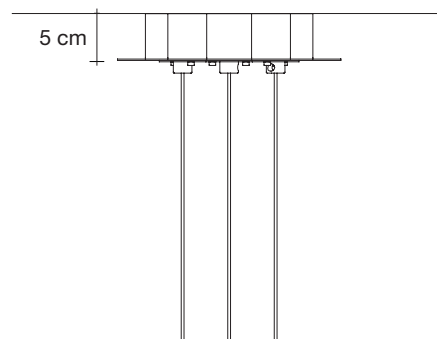
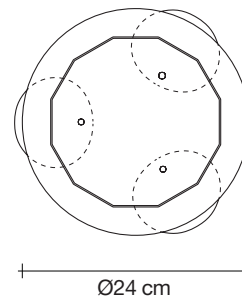
 LED
3 x 2W G4 12V

dimming options

 not dimmable

 IGBT
DALI

Canopy | white



At Terzani, we spend countless days searching the globe for talented new designers, but sometimes they find us. Such is the case with the young designers Luca Martorano and Mattia Albicini (Draw studio) who approached us with the design for Calle, a fantastic new light we instantly fell in love with. It showcases our skill at crafting crystal to take the material to an exciting, modern place. Luca and Mattia worked with our craftsmen to create a slender inverted flute of crystal that, like the calla lily it mimics, can be grouped into stunning bouquets of light. Design Draw. Made in Italy.

Calle, perennial *elegance.*

design Draw
terzani.com

TERZANI
LA LUCE PENSATA



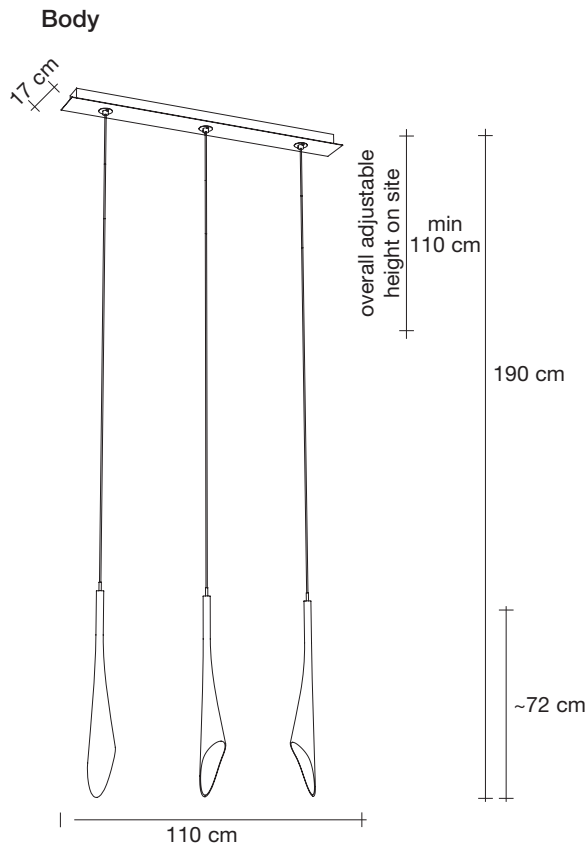
Name
Calle
3 linear multi light pendant

Materials
clear crystal (24% lead)

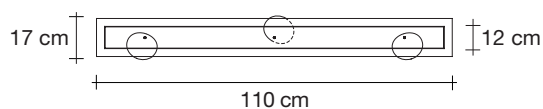
CE ENEC CB

Finishes | Code

 clear
OT03S E8 A9 R



Canopy | white



Light source options


230-240V ~ 50/60Hz

 HALOGEN
3 x 20W G4 12V

or

 LED
3 x 2W G4 12V

dimnable options

 not dimmable

 IGBT
DALI

At Terzani, we spend countless days searching the globe for talented new designers, but sometimes they find us. Such is the case with the young designers Luca Martorano and Mattia Albicini (Draw studio) who approached us with the design for Calle, a fantastic new light we instantly fell in love with. It showcases our skill at crafting crystal to take the material to an exciting, modern place. Luca and Mattia worked with our raftsmen to create a slender inverted flute of crystal that, like the calla lily it mimics, can be grouped into stunning bouquets of light. Design Draw. Made in Italy.

Calle, perennial *elegance.*

design Draw
terzani.com

TERZANI
LA LUCE PENSATA




Name
Calle
5 round multi light pendant

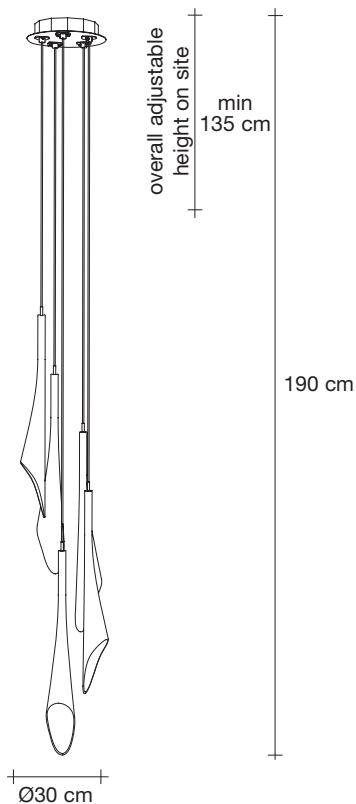
Materials
clear crystal (24% lead)

CE ENEC CB

Finishes | Code

 clear
OT05S E8 A9

Body



Light source options

230-240V ~ 50/60Hz

 HALOGEN
5 x 20W G4 12V

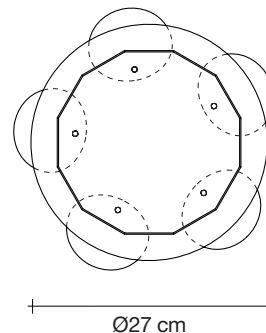
or

 LED
5 x 2W G4 12V

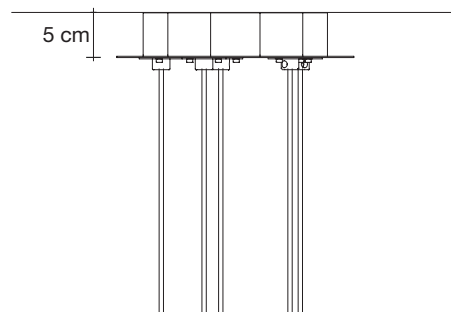
dimming options

 IGBT
1-10V
PWM
DALI

Canopy | white



At Terzani, we spend countless days searching the globe for talented new designers, but sometimes they find us. Such is the case with the young designers Luca Martorano and Mattia Albicini (Draw studio) who approached us with the design for Calle, a fantastic new light we instantly fell in love with. It showcases our skill at crafting crystal to take the material to an exciting, modern place. Luca and Mattia worked with our craftsmen to create a slender inverted flute of crystal that, like the calla lily it mimics, can be grouped into stunning bouquets of light. Design Draw. Made in Italy.



Calle, perennial *elegance.*

design Draw
terzani.com

TERZANI
LA LUCE PENSATA



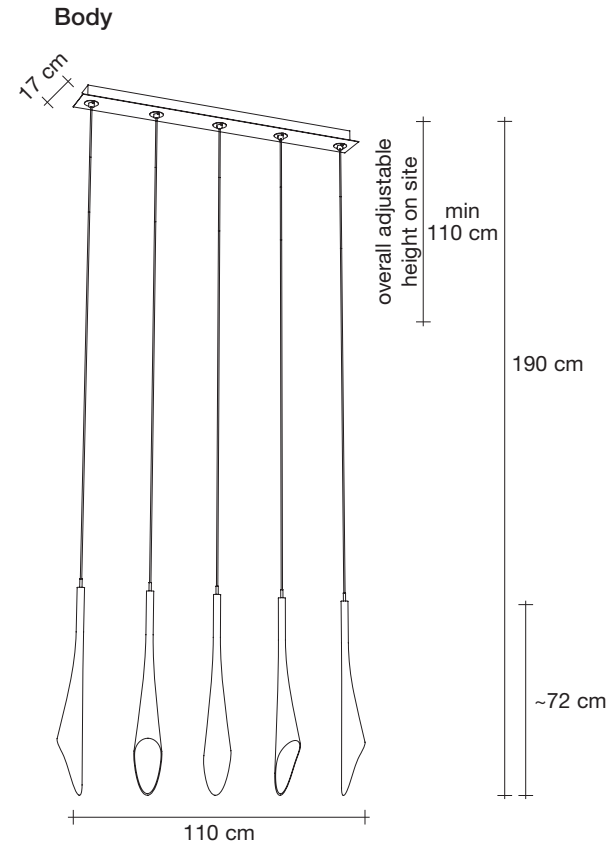
Name
Calle
5 linear multi light pendant

Materials
clear crystal (24% lead)

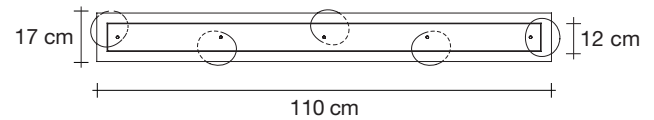
CE ENEC CB

Finishes | Code

 clear
OT05S E8 A9 R



Canopy | white



Light source options

230-240V ~ 50/60Hz

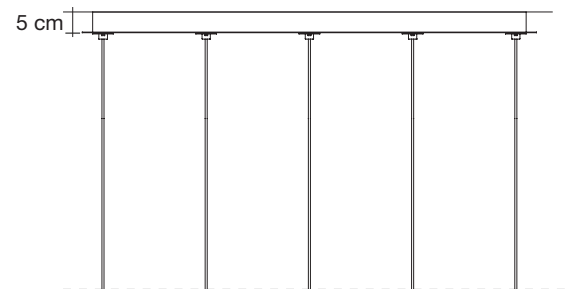
 HALOGEN
5 x 20W G4 12V

or

 LED
5 x 2W G4 12V

dimnable options

 IGBT
1-10V
PWM
DALI



At Terzani, we spend countless days searching the globe for talented new designers, but sometimes they find us. Such is the case with the young designers Luca Martorano and Mattia Albicini (Draw studio) who approached us with the design for Calle, a fantastic new light we instantly fell in love with. It showcases our skill at crafting crystal to take the material to an exciting, modern place. Luca and Mattia worked with our craftsmen to create a slender inverted flute of crystal that, like the calla lily it mimics, can be grouped into stunning bouquets of light. Design Draw. Made in Italy.