

Angel Falls, cast down, *earth.*

design Nigel Coates
terzani.com

TERZANI
LA LUCE PENSATA



Name
Angel Falls
7 pendants

Materials
clear crystal

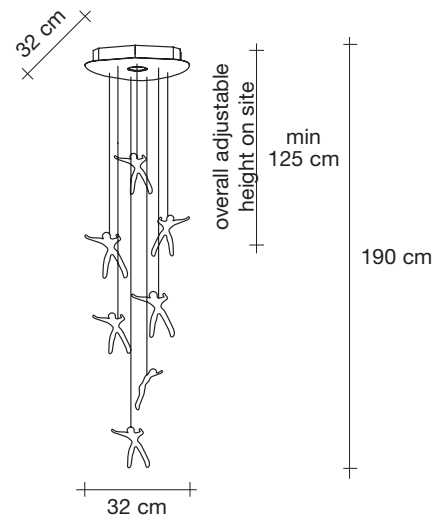


Finishes | Code



clear
0Q07S H4 A9

Body | 7 angels



Light source

230-240V ~ 50/60Hz



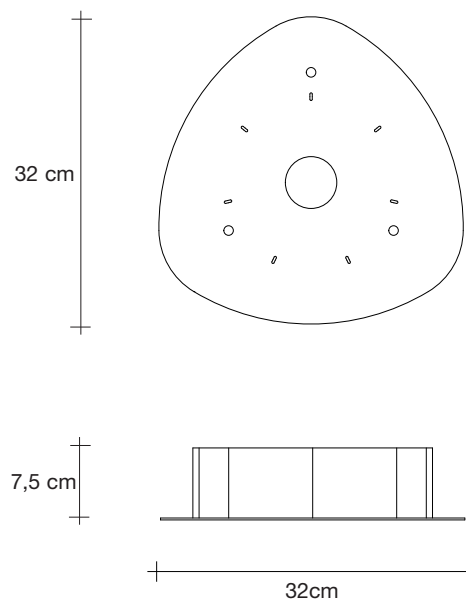
LED
5W GU10 dimmable

dimmable options



all systems

Canopy | brushed nickel plated



For his latest work for Terzani, Nigel Coates, well known for his unorthodox approach to design, has created an engaging, unique light. Customizable groups of crystal (24% lead) "angels" are illuminated by halogen lamps. What caused these angels to fall from the heavens? It's up to the viewers to decide. Either way, angel falls is sure to garner attention, and generate conversation, in any setting. Design Nigel Coates. Made in Italy.

Angel Falls, cast down, *earth.*

design Nigel Coates
terzani.com

TERZANI
LA LUCE PENSATA



Name
Angel Falls
12 pendants

Materials
clear crystal

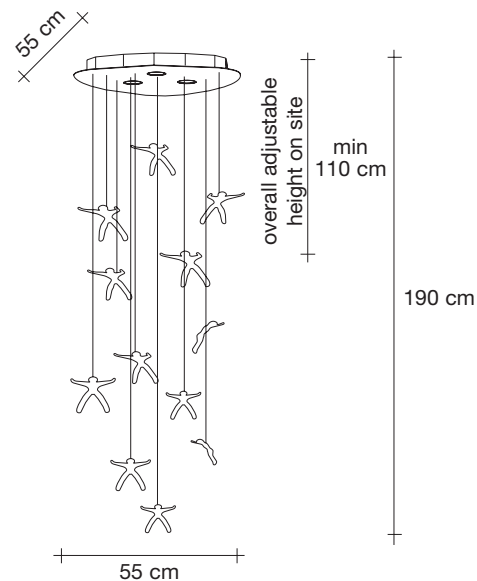


Finishes | Code



clear
0Q12S H4 A9

Body | 12 angels



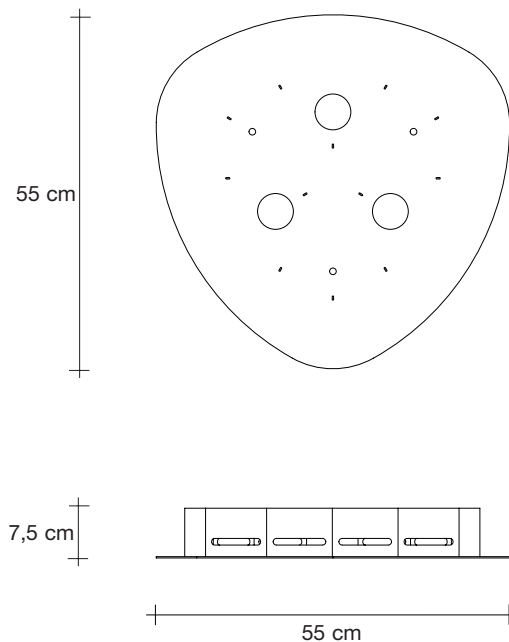
Light source
230-240V ~ 50/60Hz



dimmable options

all systems

Canopy | brushed nickel plated



For his latest work for Terzani, Nigel Coates, well known for his unorthodox approach to design, has created an engaging, unique light. Customizable groups of crystal (24% lead) "angels" are illuminated by halogen lamps. What caused these angels to fall from the heavens? It's up to the viewers to decide. Either way, angel falls is sure to garner attention, and generate conversation, in any setting. Design Nigel Coates. Made in Italy.

Angel Falls, cast down, *earth.*

design Nigel Coates
terzani.com

TERZANI
LA LUCE PENSATA

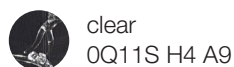


Name
Angel Falls
18 pendants

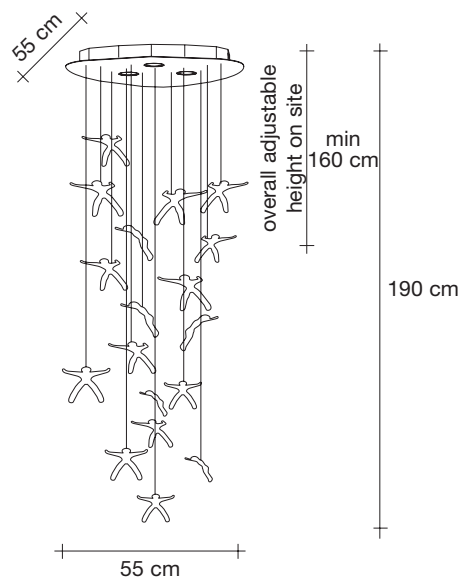
Materials
clear crystal



Finishes | Code




Body | 18 angels



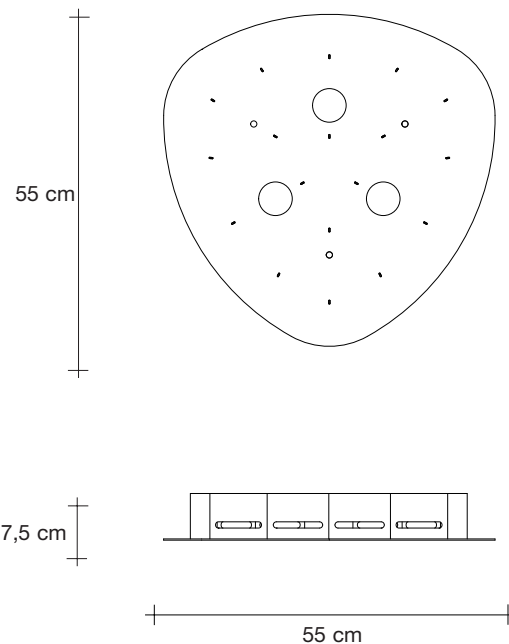
Light source
230-240V ~ 50/60Hz



dimmable options

 all systems

Canopy | brushed nickel plated



For his latest work for Terzani, Nigel Coates, well known for his unorthodox approach to design, has created an engaging, unique light. Customizable groups of crystal (24% lead) "angels" are illuminated by halogen lamps. What caused these angels to fall from the heavens? It's up to the viewers to decide. Either way, angel falls is sure to garner attention, and generate conversation, in any setting. Design Nigel Coates. Made in Italy.

Angel Falls, cast down, *earth.*

design Nigel Coates
terzani.com

TERZANI
LA LUCE PENSATA



Name
Angel Falls
24 pendants

Materials
clear crystal

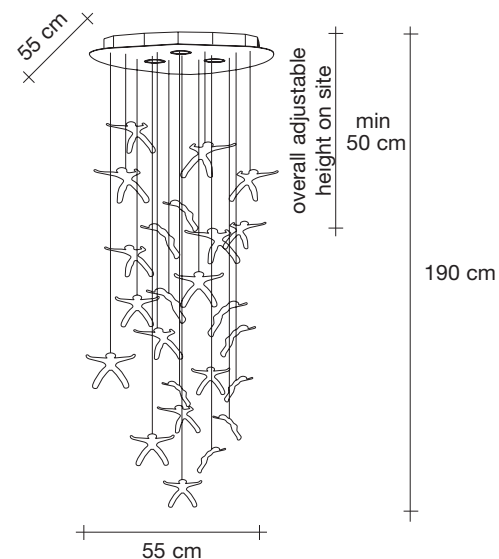


Finishes | Code



clear
0Q10S H4 A9

Body | 24 angels




Light source
230-240V ~ 50/60Hz

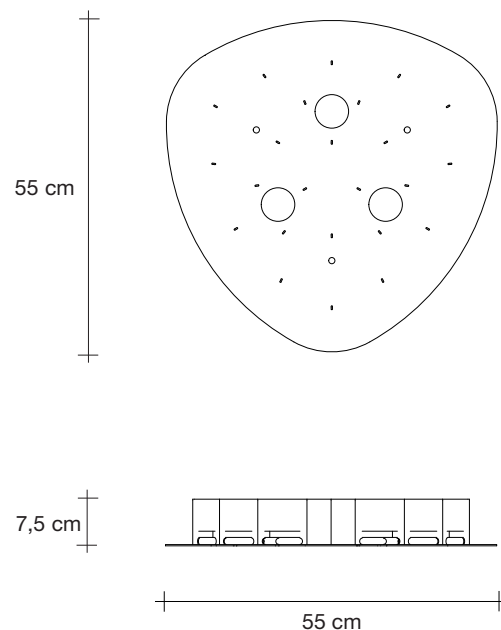


LED
3 x 5W GU10 dimmable

dimmable options

 all systems

Canopy | brushed nickel plated



For his latest work for Terzani, Nigel Coates, well known for his unorthodox approach to design, has created an engaging, unique light. Customizable groups of crystal (24% lead) "angels" are illuminated by halogen lamps. What caused these angels to fall from the heavens? It's up to the viewers to decide. Either way, angel falls is sure to garner attention, and generate conversation, in any setting. Design Nigel Coates. Made in Italy.

Angel Falls, cast down, *earth.*

design Nigel Coates
terzani.com

TERZANI
LA LUCE PENSATA



Name
Angel Falls
36 pendants

Materials
clear crystal

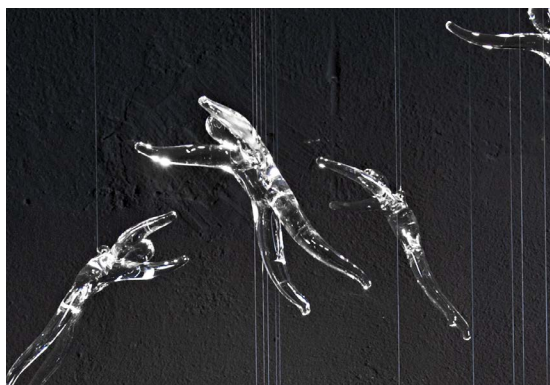
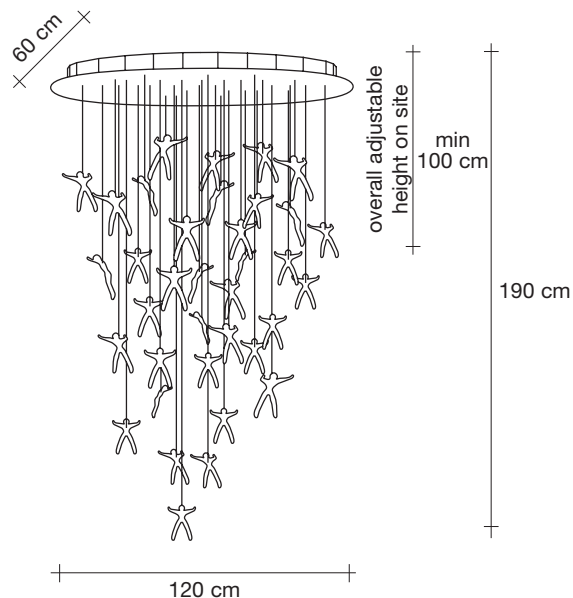


Finishes | Code



clear
0Q13S E8 A9

Body | 36 angels



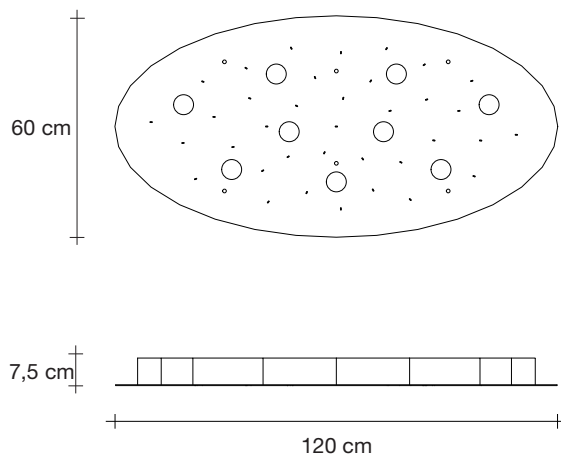
Light source
230-240V ~ 50/60Hz



dimmable options

all systems

Canopy | white



For his latest work for Terzani, Nigel Coates, well known for his unorthodox approach to design, has created an engaging, unique light. Customizable groups of crystal (24% lead) "angels" are illuminated by halogen lamps. What caused these angels to fall from the heavens? It's up to the viewers to decide. Either way, angel falls is sure to garner attention, and generate conversation, in any setting. Design Nigel Coates. Made in Italy.